

Service-Information Motorcycle



BMW NA
Service Department

Group: 11
Engine

April 1989
11 039 89
(2352)

For USA Only

Oil/Water Pump Seals - K Models

Inquiries from dealers requesting information on seal installation directions prompted this Service Information bulletin.

Seal Function: Since the oil pump/water pump utilizes the same housing and drive shaft, two seals must be used. One is to seal the oil from leaking into the coolant; the other seals the coolant from leaking.

Between the two seals is a dry chamber with a drain hole. The dry chamber is a safety measure in case either seal leaks. A slight moistness around the drain hole is considered normal.

Oil Seal - part no. 11 41 1 460 349

Coolant Seal - part no. 11 51 1 460 348

Installation of Oil Seal:

- Remove the oil-coolant pump housing and disassemble it according to the K Repair Manual microfiche.
- Protect the pump-sealing surface with a clean cloth and lay it on a workbench with the oil pump side down.
- Install a new oil pump seal with special tool - part no. 88 88 6 111 640, and handle - part no. 88 88 6 005 500. The side of the seal with the circular spring must go face down.

Installation of Coolant Pump Seal:

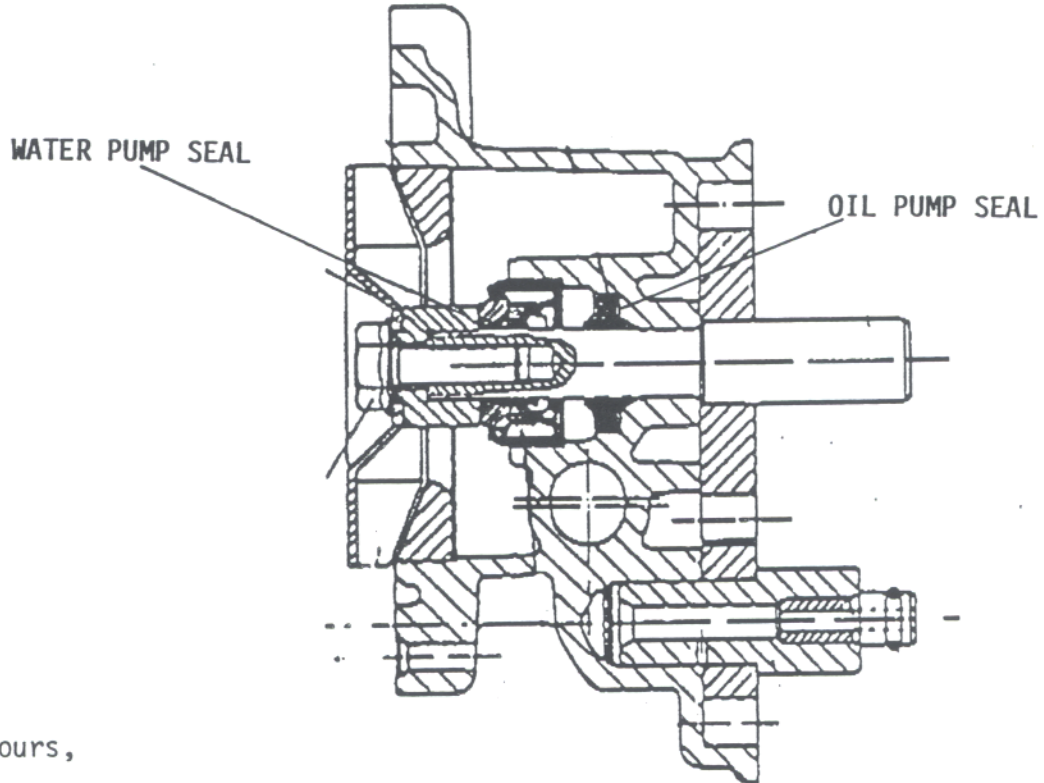
The seal as delivered from the Parts Department is covered by a plastic snap cover. Leave the cover snapped in place during installation. The coolant pump drive gear must be installed prior to driving in the seal.

- contd -

The plastic cover must face upward, or towards the coolant pump. The plastic cover will break away as the seal is pressed into the housing.

**Sealing the
Pump Housing
to the Engine
Block:**

Refer to Service Information #11 036 87 (2296) for the proper procedure.



Very truly yours,

BMW of North America, Inc.

Frank Stevens
National Service Manager

Richard Dampf
National Technical Manager

FS:je1/194.5